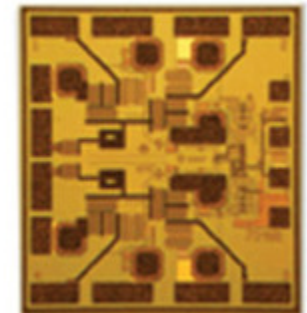


HMC344-SX	
Part Number	HMC344-SX
Manufacturer	ADI (Analog Devices, Inc.)
Description	IC SWITCH SP4T DC-8GHZ DIE
Quantity Available	500 pcs in stock
Datasheets	HMC344-SX.pdf
HMC344-SX Price	Request Price & Lead Time Online or Email us: Info@ariat-tech.com


[GET A QUOTE](#)

Technical Information of HMC344-SX			
Manufacturer Part Number	HMC344-SX	Category	RF/IF and RFID
Manufacturer	ADI (Analog Devices, Inc.)	Description	IC SWITCH SP4T DC-8GHZ DIE
Package / Case	Tray	Quantity Available	500
Voltage - Supply	-	Topology	Absorptive
Supplier Device Package	Die	Series	-
RF Type	WLAN	Packaging	Tray
Package / Case	Die	P1dB	21dBm (typ) IP1dB
Other Names	1127-2562 HMC344SX	Operating Temperature	-40°C ~ 85°C
Moisture Sensitivity Level (MSL)	1 (Unlimited)	Lead Free Status / RoHS Status	Lead free / RoHS Compliant
Impedance	50 Ohm	IIP3	40dBm (typ)
Features	-	Detailed Description	RF Switch IC WLAN SP4T 8GHz 50 Ohm Die
Circuit	SP4T		

HMC344-SX 500pcs New and Original in Stock, Find HMC344-SX Stock, Datasheet, PDF, Inventory at Ariat-Tech.com Online, Order HMC344-SX with warrantied and confidence. RFQ HMC344-SX : Info@Ariat-Tech.com

Related parts for HMC344-SX				
Image	Part Number	Description	Manufacturer	Quantity
	HMC344	IC SWITCH NON-REFLECT SP4T DIE	ADI (Analog Devices, Inc.)	500 pcs
	HMC344LH5TR	IC SWITCH NON-REFLECT SP4T SMD	ADI (Analog Devices, Inc.)	500 pcs
	HMC342LC4	IC RF AMP GP 13GHZ-25GHZ 24SMT	ADI (Analog Devices, Inc.)	5 pcs
	HMC342LC4TR	IC RF AMP GP 13GHZ-25GHZ 24SMT	ADI (Analog Devices, Inc.)	100 pcs
	HMC341-SX	IC RF AMP GP 21GHZ-29GHZ DIE	ADI (Analog Devices, Inc.)	500 pcs
	HMC341LC3BTR-R5	IC RF AMP VSAT 21GHZ-29GHZ 12SMT	ADI (Analog Devices, Inc.)	500 pcs
	HMC341LC3BTR	IC RF AMP GP 21GHZ-29GHZ 12SMT	ADI (Analog Devices, Inc.)	185 pcs
	HMC344LP3	IC SWITCH NON-RELECT SP4T 16-QFN	ADI (Analog Devices, Inc.)	1779 pcs
	HMC341LC3B	IC RF AMP GP 21GHZ-29GHZ 12SMT	ADI (Analog Devices, Inc.)	81 pcs
	HMC344LC3TR-R5	IC SWITCH NON-REFL SP4T 16SMD	ADI (Analog Devices, Inc.)	500 pcs
	HMC342-SX	IC RF AMP GP 13GHZ-25GHZ DIE	ADI (Analog Devices, Inc.)	36 pcs
	HMC344ATCPZ-EP-PT	EP DC-8 GHZ SP4T-V NON-REFLECTIV	ADI (Analog Devices, Inc.)	19 pcs
	HMC344LC3	IC SWITCH NON-REFL SP4T 16SMD	ADI (Analog Devices, Inc.)	500 pcs
	HMC344LH5	IC SWITCH NON-REFLECT SP4T SMD	ADI (Analog Devices, Inc.)	500 pcs
	HMC342	IC RF AMP VSAT 13GHZ-25GHZ DIE	ADI (Analog Devices, Inc.)	125 pcs
	HMC342LC4TR-R5	IC RF AMP VSAT 13GHZ-25GHZ 24SMT	ADI (Analog Devices, Inc.)	500 pcs
	HMC344ALP3ETR	IC SWITCH SP4T DC-8GHZ 16-QFN	ADI (Analog Devices, Inc.)	500 pcs
	HMC344ALP3E	IC MMIC SWITCH SP4T 16QFN	ADI (Analog Devices, Inc.)	571 pcs
	HMC344LC3TR	IC SWITCH NON-REFL SP4T 16SMD	ADI (Analog Devices, Inc.)	500 pcs
	HMC344ATCPZ-EP-R7	EP DC-8 GHZ SP4T-V NON-REFLECTIV	ADI (Analog Devices, Inc.)	500 pcs

HMC344-SX Stock	HMC344-SX Price	HMC344-SX Electronics	HMC344-SX Components
HMC344-SX Inventory	HMC344-SX Digikey	Supplier HMC344-SX	Order HMC344-SX Online
Inquiry HMC344-SX	HMC344-SX Image	HMC344-SX Picture	HMC344-SX PDF
HMC344-SX Datasheet	Download HMC344-SX Datasheet	Manufacturer	