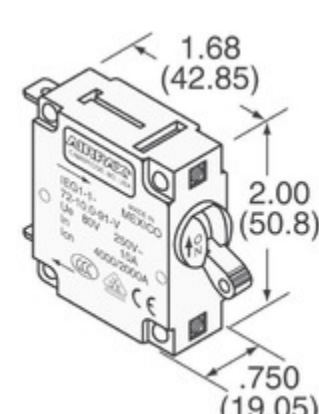


<b>IEG1-32852-15-V</b>	
Part Number	<a href="#">IEG1-32852-15-V</a>
Manufacturer	<a href="#">Sensata Technologies, Airpax</a>
Description	CIR BRKR MAG-HYDR LEVER
Quantity Available	500 pcs in stock
Datasheets	
IEG1-32852-15-V Price	<a href="#">Request Price &amp; Lead Time Online</a> or Email us: <a href="mailto:Info@ariat-tech.com">Info@ariat-tech.com</a>


[GET A QUOTE](#)

Technical Information of IEG1-32852-15-V			
Manufacturer Part Number	<a href="#">IEG1-32852-15-V</a>	Category	<a href="#">Circuit Protection</a>
Manufacturer	<a href="#">Sensata Technologies, Airpax</a>	Description	CIR BRKR MAG-HYDR LEVER
Package / Case		Quantity Available	500
Voltage Rating - DC	-	Voltage Rating - AC	-
Series	IEG	Number of Poles	1
Mounting Type	Panel Mount	Illumination Voltage (Nominal)	-
Illumination	-	Current Rating	-
Breaker Type	Magnetic (Hydraulic Delay)	Actuator Type	Lever

IEG1-32852-15-V 500pcs New and Original in Stock, Find IEG1-32852-15-V Stock, Datasheet, PDF, Inventory at Ariat-Tech.com Online, Order IEG1-32852-15-V Sensata Technologies, Airpax with warrantied and confidence. RFQ IEG1-32852-15-V : [Info@Ariat-Tech.com](mailto:Info@Ariat-Tech.com)

**Related parts for IEG1-32852-15-V**

Image	Part Number	Description	Manufacturer	Quantity
	<a href="#">IEG1-32852-20-V</a>	CIR BRKR MAG-HYDR LEVER	Sensata Technologies/Airpax	500 pcs
	<a href="#">IEG1-33254-5-V</a>	CIR BRKR MAG-HYDR LEVER	Sensata Technologies/Airpax	500 pcs
	<a href="#">IEG1-31724-5-V</a>	CIR BRKR MAG-HYDR LEVER	Sensata Technologies/Airpax	500 pcs
	<a href="#">IEG1-31724-4-V</a>	CIR BRKR MAG-HYDR LEVER	Sensata Technologies/Airpax	500 pcs
	<a href="#">IEG1-33079-1-V</a>	CIR BRKR MAG-HYDR LEVER	Sensata Technologies/Airpax	500 pcs
	<a href="#">IEG1-31724-8-V</a>	CIR BRKR MAG-HYDR LEVER	Sensata Technologies/Airpax	500 pcs
	<a href="#">IEG1-33079-2-V</a>	CIR BRKR MAG-HYDR LEVER	Sensata Technologies/Airpax	500 pcs
	<a href="#">IEG1-31716-1-V</a>	CIR BRKR MAG-HYDR LEVER	Sensata Technologies/Airpax	500 pcs
	<a href="#">IEG1-32982-1-V</a>	CIR BRKR MAG-HYDR LEVER	Sensata Technologies/Airpax	500 pcs
	<a href="#">IEG1-32852-10-V</a>	CIR BRKR MAG-HYDR LEVER	Sensata Technologies/Airpax	500 pcs
	<a href="#">IEG1-32752-1-V</a>	CIR BRKR MAG-HYDR LEVER	Sensata Technologies/Airpax	500 pcs
	<a href="#">IEG1-33295-1-V</a>	CIR BRKR MAG-HYDR LEVER	Sensata Technologies/Airpax	500 pcs
	<a href="#">IEG1-32982-2-V</a>	CIR BRKR MAG-HYDR LEVER	Sensata Technologies/Airpax	500 pcs
	<a href="#">IEG1-32994-4-V</a>	CIR BRKR MAG-HYDR LEVER	Sensata Technologies/Airpax	500 pcs
	<a href="#">IEG1-31724-6-V</a>	CIR BRKR MAG-HYDR LEVER	Sensata Technologies/Airpax	500 pcs
	<a href="#">IEG1-32489-5-V</a>	CIR BRKR MAG-HYDR LEVER	Sensata Technologies/Airpax	500 pcs
	<a href="#">IEG1-31717-1-V</a>	CIR BRKR MAG-HYDR LEVER	Sensata Technologies/Airpax	500 pcs
	<a href="#">IEG1-33295-2-V</a>	CIR BRKR MAG-HYDR LEVER	Sensata Technologies/Airpax	500 pcs
	<a href="#">IEG1-31724-7-V</a>	CIR BRKR MAG-HYDR LEVER	Sensata Technologies/Airpax	500 pcs
	<a href="#">IEG1-32852-5-V</a>	CIR BRKR MAG-HYDR LEVER	Sensata Technologies/Airpax	500 pcs

<a href="#">IEG1-32852-15-V Stock</a>	<a href="#">IEG1-32852-15-V Price</a>	<a href="#">IEG1-32852-15-V Electronics</a>	<a href="#">IEG1-32852-15-V Components</a>
<a href="#">IEG1-32852-15-V Inventory</a>	<a href="#">IEG1-32852-15-V Digikey</a>	<a href="#">Supplier IEG1-32852-15-V</a>	<a href="#">Order IEG1-32852-15-V Online</a>
<a href="#">Inquiry IEG1-32852-15-V</a>	<a href="#">IEG1-32852-15-V Image</a>	<a href="#">IEG1-32852-15-V Picture</a>	<a href="#">IEG1-32852-15-V PDF</a>
<a href="#">IEG1-32852-15-V Datasheet</a>	<a href="#">Download IEG1-32852-15-V Datasheet</a>	<a href="#">Manufacturer Sensata Technologies, Airpax</a>	

Electronics Components Distributor – IC Chips & IGBT Module Supplier.

RFQ Email: [Info@ariat-tech.com](mailto:Info@ariat-tech.com) Website: <https://www.ariat-tech.com>

Copyright Notice © 1996-2019 ARIAT TECHNOLOGY LIMITED. All rights reserved.