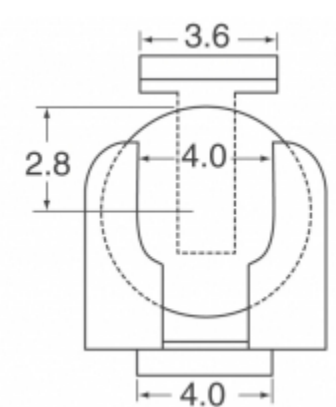


PTCTZ3NR150KTE	
Part Number	PTCTZ3NR150KTE
Manufacturer	Angstrohm / Vishay
Description	THERMISTOR 17.5 OHM 300V SMT PTC
Quantity Available	500 pcs in stock
Datasheets	
PTCTZ3NR150KTE Price	Request Price & Lead Time Online or Email us: Info@ariat-tech.com


[GET A QUOTE](#)

Technical Information of PTCTZ3NR150KTE			
Manufacturer Part Number	PTCTZ3NR150KTE	Category	Circuit Protection
Manufacturer	Angstrohm / Vishay	Description	THERMISTOR 17.5 OHM 300V SMT PTC
Package / Case	Tape & Reel (TR)	Quantity Available	500
Voltage - Max	300V	Type	Ceramic
Time to Trip	1.5s	Thickness (Max)	0.142" (3.60mm)
Size / Dimension	0.283" L x 0.394" W (7.20mm x 10.00mm)	Series	PTCTZ
Resistance - Post Trip (R1) (Max)	-	Resistance - Initial (Ri) (Min)	-
Resistance - 25°C (Typ)	20 Ohm	Ratings	-
Packaging	Tape & Reel (TR)	Package / Case	2-SMD
Operating Temperature	-	Mounting Type	Surface Mount
Lead Spacing	-	Height - Seated (Max)	-
Current - Trip (It)	250mA	Current - Max	1.5A
Current - Hold (Ih) (Max)	150mA	Approvals	-

PTCTZ3NR150KTE 500pcs New and Original in Stock, Find PTCTZ3NR150KTE Stock, Datasheet, PDF, Inventory at Ariat-Tech.com Online, Order PTCTZ3NR150KTE Angstrohm / Vishay with warrantied and confidence. RFQ PTCTZ3NR150KTE : Info@Ariat-Tech.com

Related parts for PTCTZ3NR150KTE				
Image	Part Number	Description	Manufacturer	Quantity
	PTCTZ3NR339CTE	PTC RESET FUSE 24V 400MA 2SMD	Electro-Films (EFI) / Vishay	500 pcs
	PTCTZ3NR400HTE	PTC RESET FUSE 265V 80MA 2SMD	Electro-Films (EFI) / Vishay	500 pcs
	PTCTZ3NR949ETE	THERMISTOR PTC 9.4 OHM 60V SMD	Vishay BC Components	500 pcs
	PTCTZ3NR400HTE	THERMISTOR 40 OHM 265V SMT PTC	Vishay BC Components	500 pcs
	PTCTZ3MR500MTE	THERMISTOR 50 OHM 425V SMT PTC	Vishay BC Components	500 pcs
	PTCTZ3NR949ETE	PTC RESET FUSE 60V 2SMD	Electro-Films (EFI) / Vishay	500 pcs
	PTCTZ3NR100GTE	PTC RESET FUSE 245V 165MA 2SMD	Electro-Films (EFI) / Vishay	500 pcs
	PTCTZ3MR250HTE	THERMISTOR 25 OHM 265V SMT PTC	Vishay BC Components	500 pcs
	PTCTZ3NR339CTE	THERMISTOR 3.3 OHM 24V SMT PTC	Vishay BC Components	500 pcs
	PTCTZ3MR250MTE	PTC RESET FUSE 2SMD	Electro-Films (EFI) / Vishay	500 pcs
	PTCTZ3MR250HTE	PTC RESET FUSE 265V 120MA 2SMD	Electro-Films (EFI) / Vishay	500 pcs
	PTCTZ3MR350MTE	THERMISTOR 35 OHM 425V SMT PTC	Vishay BC Components	500 pcs
	PTCTZ3MR500STE	THERMISTOR PTC 50 OHM 600V	Vishay BC Components	500 pcs
	PTCTZ3MR500MTE	PTC RESET FUSE 425V 90MA 2SMD	Electro-Films (EFI) / Vishay	500 pcs
	PTCTZ3MR500STE	PTC RESET FUSE 2SMD	Electro-Films (EFI) / Vishay	500 pcs
	PTCTZ3MR200KTE	PTC RESET FUSE 300V 120MA 2SMD	Electro-Films (EFI) / Vishay	500 pcs
	PTCTZ3MR350MTE	PTC RESET FUSE 425V 110MA 2SMD	Electro-Films (EFI) / Vishay	500 pcs
	PTCTZ3NR100GTE	THERMISTOR 10 OHM 245V SMT PTC	Vishay BC Components	500 pcs
	PTCTZ3MR250MTE	THERMISTOR PTC 25 OHM 400V	Vishay BC Components	500 pcs
	PTCTZ3NR150KTE	PTC RESET FUSE 300V 150MA 2SMD	Electro-Films (EFI) / Vishay	500 pcs

PTCTZ3NR150KTE Stock	PTCTZ3NR150KTE Price	PTCTZ3NR150KTE Electronics	PTCTZ3NR150KTE Components
PTCTZ3NR150KTE Inventory	PTCTZ3NR150KTE Digikkey	Supplier PTCTZ3NR150KTE	Order PTCTZ3NR150KTE Online
Inquiry PTCTZ3NR150KTE	PTCTZ3NR150KTE Image	PTCTZ3NR150KTE Picture	PTCTZ3NR150KTE PDF
PTCTZ3NR150KTE Datasheet	Download PTCTZ3NR150KTE Datasheet	Manufacturer Angstrohm / Vishay	