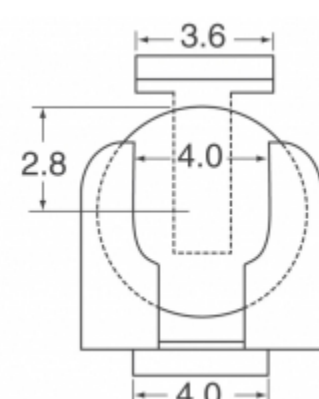


PTCTZ3MR250HTE	
Part Number	PTCTZ3MR250HTE
Manufacturer	Electro-Films (EFI) / Vishay
Description	PTC RESET FUSE 265V 120MA 2SMD
Quantity Available	500 pcs in stock
Datasheets	PTCTZ3MR250HTE.pdf
PTCTZ3MR250HTE Price	Request Price & Lead Time Online or Email us: Info@ariat-tech.com


[GET A QUOTE](#)

Technical Information of PTCTZ3MR250HTE			
Manufacturer Part Number	PTCTZ3MR250HTE	Category	Circuit Protection
Manufacturer	Electro-Films (EFI) / Vishay	Description	PTC RESET FUSE 265V 120MA 2SMD
Package / Case	Cut Tape (CT)	Quantity Available	500
Voltage - Max	265V	Type	Ceramic
Time to Trip	1.3s	Thickness (Max)	0.142" (3.60mm)
Size / Dimension	0.283" L x 0.394" W (7.20mm x 10.00mm)	Series	PTCTZ
Resistance - 25°C (Typ)	25 Ohms	Ratings	-
Packaging	Cut Tape (CT)	Package / Case	2-SMD
Other Names	BC1563CT	Operating Temperature	-
Mounting Type	Surface Mount	Moisture Sensitivity Level (MSL)	1 (Unlimited)
Lead Spacing	-	Lead Free Status / RoHS Status	Contains lead / RoHS non-compliant
Height - Seated (Max)	-	Detailed Description	Ceramic PTC Resettable Fuse 265V 120mA 1h Surface Mount 2-SMD
Current - Trip (It)	220mA	Current - Max	2A
Current - Hold (Ih) (Max)	120mA	Approvals	-

PTCTZ3MR250HTE 500pcs New and Original in Stock, Find PTCTZ3MR250HTE Stock, Datasheet, PDF, Inventory at Ariat-Tech.com Online, Order PTCTZ3MR250HTE Electro-Films (EFI) / Vishay with warranted and confidence. RFQ PTCTZ3MR250HTE : Info@Ariat-Tech.com

Related parts for PTCTZ3MR250HTE				
Image	Part Number	Description	Manufacturer	Quantity
	PTCTZ3MR100GTE	THERMISTOR 10 OHM 245V SMT PTC	Vishay BC Components	500 pcs
	PTCTZ3MR200KTE	THERMISTOR 20 OHM 300V SMT PTC	Vishay BC Components	500 pcs
	PTCTZ3MR500MTE	THERMISTOR 50 OHM 425V SMT PTC	Vishay BC Components	500 pcs
	PTCTZ3MR250MTE	PTC RESET FUSE 2SMD	Electro-Films (EFI) / Vishay	500 pcs
	PTCTZ3MR200KTE	PTC RESET FUSE 300V 120MA 2SMD	Electro-Films (EFI) / Vishay	500 pcs
	PTCTZ3MR150KTE	THERMISTOR 17.5 OHM 300V SMT PTC	Vishay BC Components	500 pcs
	PTCTZ3MR100GTE	PTC RESET FUSE 245V 165MA 2SMD	Electro-Films (EFI) / Vishay	500 pcs
	PTCTZ3MR500STE	THERMISTOR PTC 50 OHM 600V	Vishay BC Components	500 pcs
	PTCTZ3MR250MTE	THERMISTOR PTC 25 OHM 400V	Vishay BC Components	500 pcs
	PTCTZ3NR100GTE	PTC RESET FUSE 245V 165MA 2SMD	Electro-Films (EFI) / Vishay	500 pcs
	PTCTZ3MR250HTE	THERMISTOR 25 OHM 265V SMT PTC	Vishay BC Components	500 pcs
	PTCTT95R500GTELAR	THERMISTOR PTC 50 OHM 20% 4SMD	Electro-Films (EFI) / Vishay	500 pcs
	PTCTZ3MR350MTE	PTC RESET FUSE 425V 110MA 2SMD	Electro-Films (EFI) / Vishay	500 pcs
	PTCTZ3MR150KTE	PTC RESET FUSE 300V 150MA 2SMD	Electro-Films (EFI) / Vishay	500 pcs
	PTCTZ3MR500MTE	PTC RESET FUSE 425V 90MA 2SMD	Electro-Films (EFI) / Vishay	500 pcs
	PTCTZ3MR100KTE	THERMISTOR PTC 10 OHM 300V	Vishay BC Components	500 pcs
	PTCTZ3MR500STE	PTC RESET FUSE 2SMD	Electro-Films (EFI) / Vishay	500 pcs
	PTCTZ3MR100KTE	PTC RESET FUSE 2SMD	Electro-Films (EFI) / Vishay	500 pcs
	PTCTT95R500GTE	PTC RESET FUSE 240V 90MA RADIAL	Electro-Films (EFI) / Vishay	500 pcs
	PTCTZ3MR350MTE	THERMISTOR 35 OHM 425V SMT PTC	Vishay BC Components	500 pcs

PTCTZ3MR250HTE Stock	PTCTZ3MR250HTE Price	PTCTZ3MR250HTE Electronics	PTCTZ3MR250HTE Components
PTCTZ3MR250HTE Inventory	PTCTZ3MR250HTE Digikey	Supplier PTCTZ3MR250HTE	Order PTCTZ3MR250HTE Online
Inquiry PTCTZ3MR250HTE	PTCTZ3MR250HTE Image	PTCTZ3MR250HTE Picture	PTCTZ3MR250HTE PDF
PTCTZ3MR250HTE Datasheet	Download PTCTZ3MR250HTE Datasheet	Manufacturer Electro-Films (EFI) / Vishay	