

Wireless Module GPS/GLONSS Module GYSFFMAXC Overview

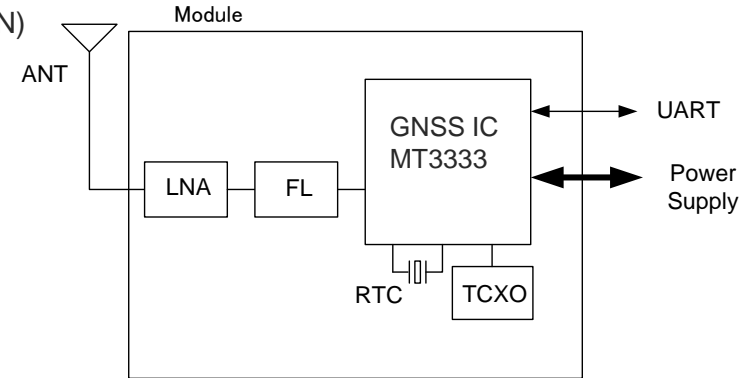
Aug. 25, 2014 Version 1.01

GPS: MT3333 SMD type Module – GYSFFMAXC

Features

- 33tracking/ 99acquisition- channel
- 12multi tone Active Interface Canceller (AIC)
- Support multi GNSS(GPS, GLONASS), QZSS, SBAS(WAAS/EGNOS/MSAS/GAGAN)
- Always Locate™ Advanced location awareness technology
- EPO™ / Hot Still™ orbit prediction
- EASY™ self-generation orbit prediction
- Logger function support
- Serial interface UART
- Ultra low power consumption
- Build-in SAW Filter, LNA, TCXO, RTC, Shielding case, (without Antenna)
- RoHS Conformity

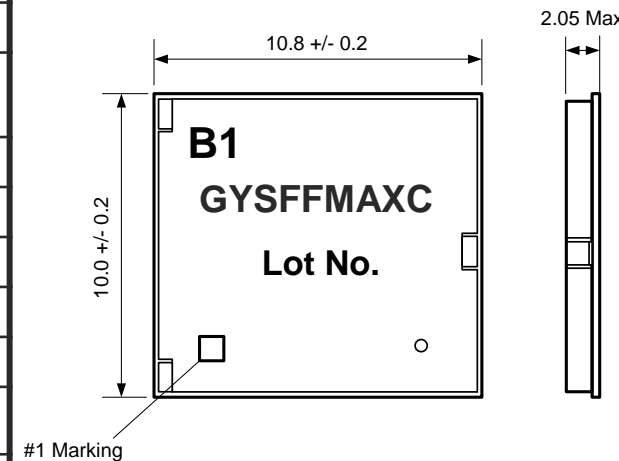
Block Diagram



General Electrical Specification

Parameter	Description	Min.	Typ.	Max.	Units
Frequency (GPS)			1575.42		MHz
Frequency (GLONASS)		1598.0625	1602	1605.375	MHz
Operation Voltage	VDD3V3	3.0	3.3	4.3	V
	VDD3V3_ BACKUP	2.0	3.3	4.3	V
Sensitivity	Hot-start	—	-162	—	dBm
	Cold-start	—	-146	—	dBm
TTFF	Hot-start@ -135dBm	—	1	—	sec
	Cold-start@ -135dBm	—	38	—	sec
Accuracy	@ -135dBm	—	1.4	—	m
Power consumption	@ acquisition VDD=3.3	—	73	—	mW
	@ Tracking VDD=3.3	—	60	—	mW
General Operation Temperature Range		-30	25	85	deg-C

Outline

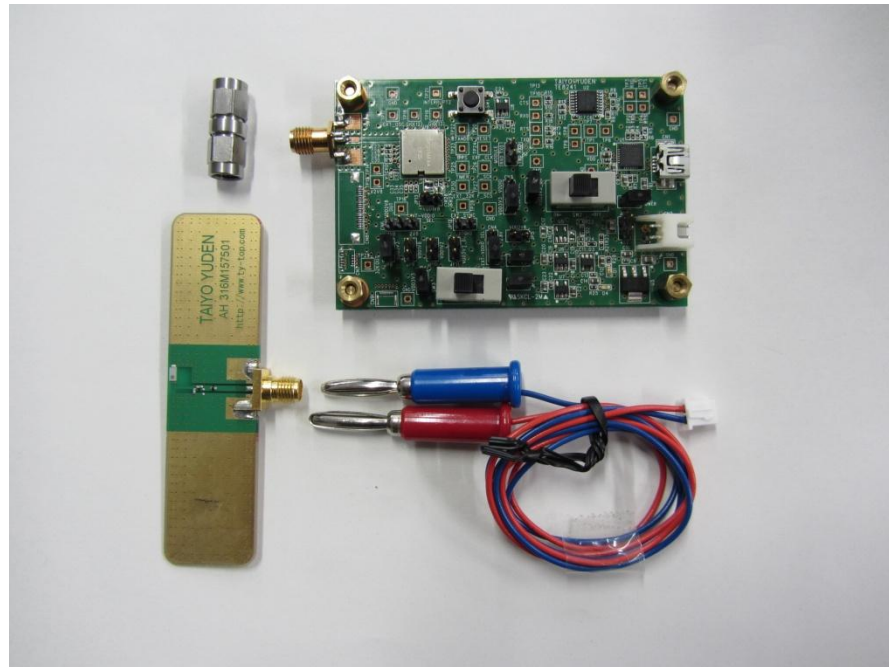


Unit: mm

GBSFFMAXC : GPS Module Evaluation Kit

GBSFMAXC Kit includes:

1	Evaluation Board	1 piece
2	DC Power Cable	1 piece
3	CD-R 1, Control tool: Mini GPS (released by Mediatek), 2, USB to controller Driver :CP210xVCP_WIN_XP_S2K3_Vista_7.exe 3, NMEA to KMZ Utility: NMEA2KMZ	1 disc
4	Antenna Board (AH316M15701)	1 piece



TAIYO YUDEN