

PART NAME: KNOB

SCALE: 1:1

DATE: 7/31/80

DR. BY HD



DESIGNERS & MANUFACTURERS OF KNOBS, HANDLES, CASES & CUSTOM PLASTIC COMPONENTS

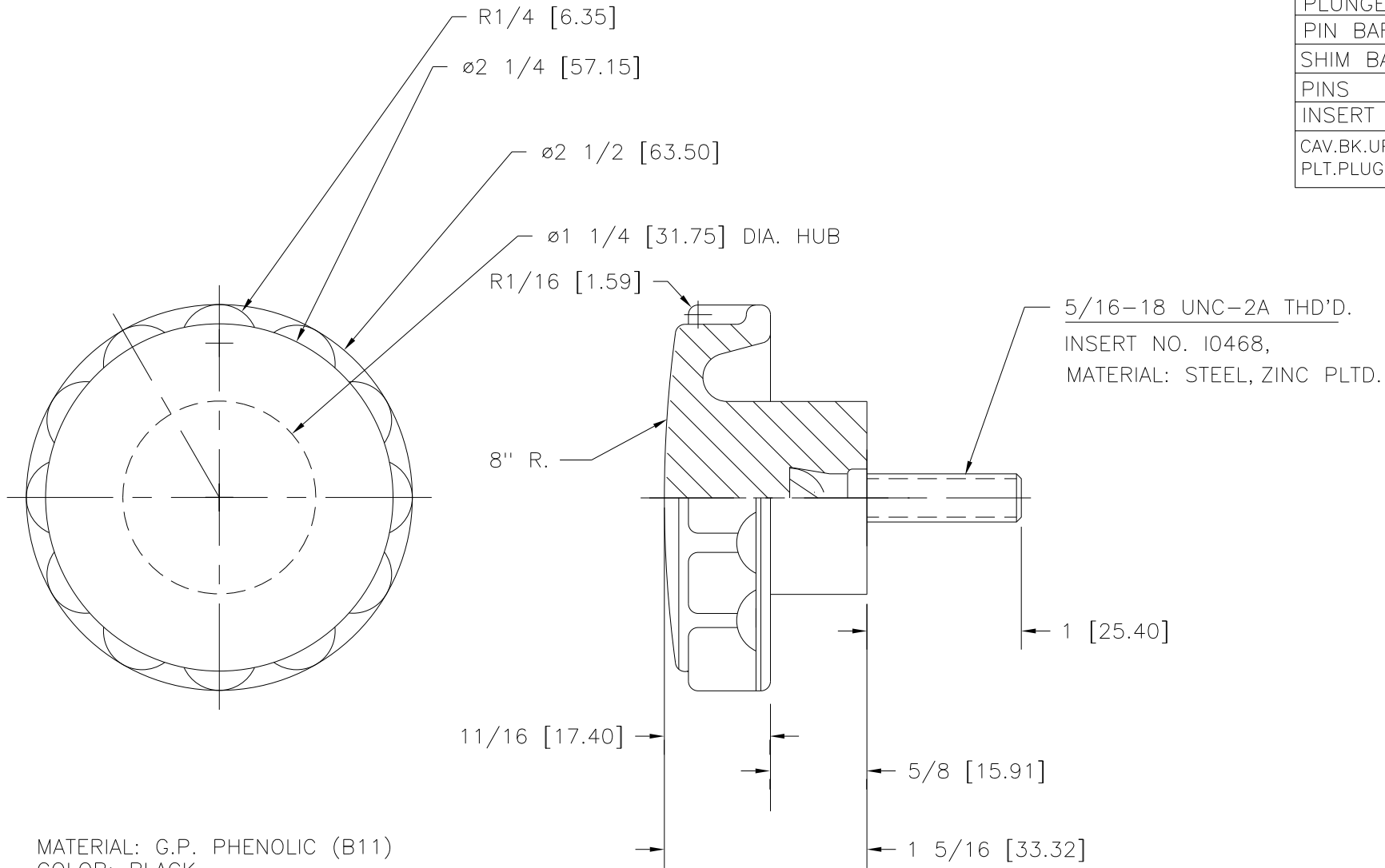
P/N 3015BW

THIS DRAWING IS THE PROPERTY OF DAVIES MOLDING COMPANY, IS SUBMITTED SOLELY AS A DESIGN OR ENGINEERING PROJECT. WE ACCEPT NO RESPONSIBILITY WHATSOEVER FOR THE PRACTICAL APPLICATION OF THE PIECES MADE TO THIS DESIGN.

M NO. 5699

CAD/REDRAWN : 6/2/94 : HD

CAV.	3015
PLUNGER	3015
PIN BARS	3015
SHIM BARS	3015(3/8)
PINS	3015-1 + M
INSERT	I0468
CAV.BK.UP STM. PLT.PLUG	3015



MATERIAL: G.P. PHENOLIC (B11)  
COLOR: BLACK

TOLERANCES: UNLESS OTHERWISE SPECIFIED	DO NOT SCALE DRAWING				
DECIMALS: X.XXX ± .005 X.XX ± .015	MM: X.XX ± 0.15MM X.X ± 0.4MM				
FRACTIONS ± 1/64	ANG. ± 1°	CHANGES			