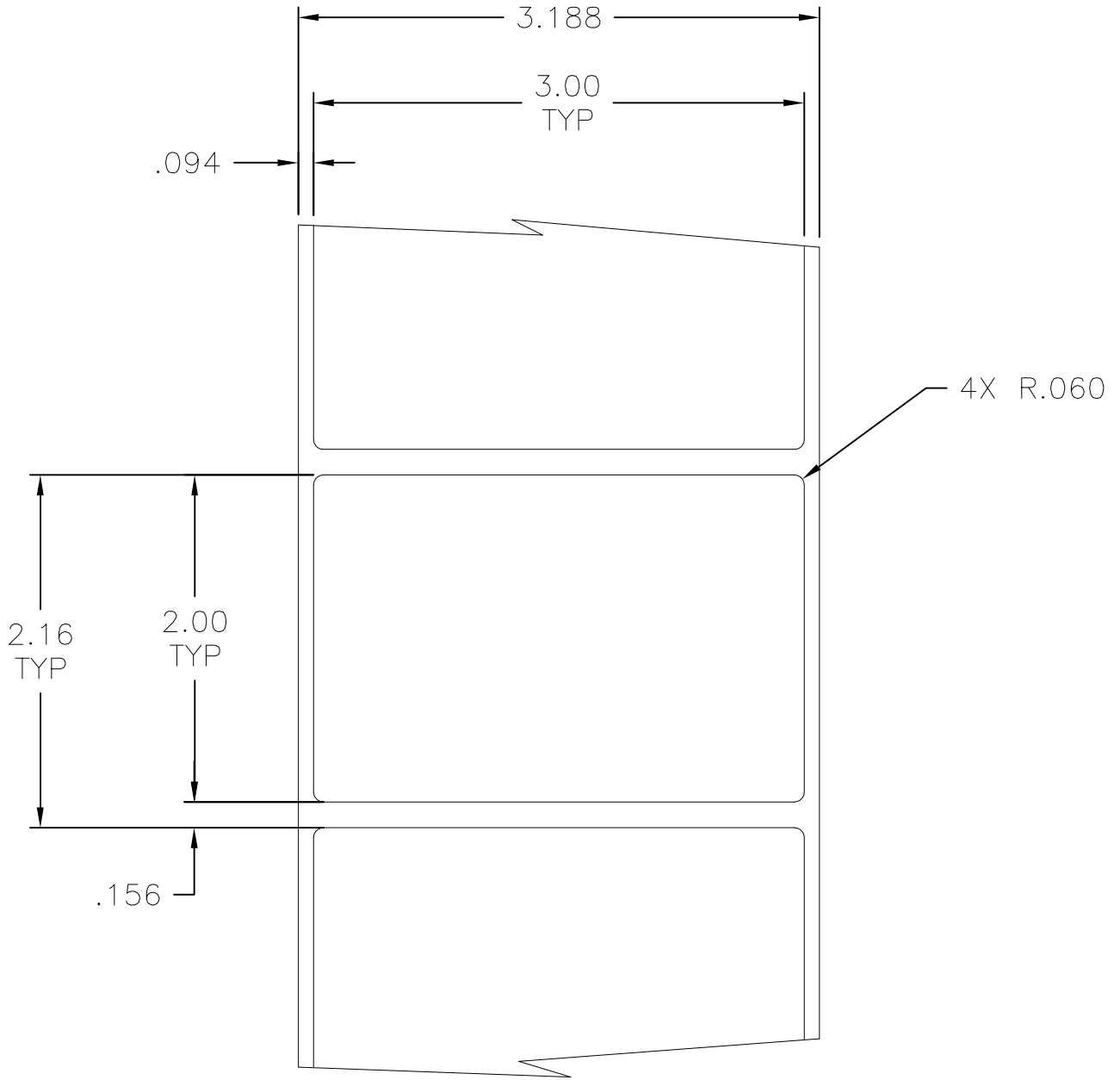


DRAWING	name	date	city, state	NOTES



1000 WHITE LABELS PER ROLL  
1 ACROSS ON A 3" CORE

PART NUMBER	MATERIAL
TAG33T1-DTH	DTH-DURATTACH POLYOLEFIN

REVISION	level	$\triangle 01$
	date	06/03/08
	by	AAC
	ECN #	011047
part level	A	

DIMENSIONS	.XXXX = ±.0005
	.XXX = ±.005
	.XX = ±.01
	.X = ±.03
	∠ = ± 0.5°
	unless otherwise specified
units	inches

PART	number	TAG33T1-DTH	phase	PRODUCTION
	name	TAG33T1 BLANK THERMAL TRANSFER LABEL		
	material	SEE CHART		

DRAWING	FORMAT	AV	version	M	CAD	ACAD	scale	1X
	computer file number	LA\DTL\3002076_01						
	drawn	AAC	checked	KAC	approved			
	date	06/03/08	date	06/03/08	signature			
	type	DETAIL			sheet	1 of 1		
	number	LA3002076DTL						